



HAPERT
TRAILERS

HAPERT AZURE THE MOST POWER- FULL ALL-ROUNDER



**BRING
IT ON.**
WWW.HAPERT.COM



BRING IT ON.

Confidence

Has to be earned,
By being the strongest,
By doing what you believe in, right from the very start.

You need confidence to build for the future,
to close old chapters and start new ones.

Trust brings you together. It's what you have in each other,
in your friendship and what you pass on to the next generation.

We are **HAPERT**.

We've been building trust since 1966.
With skilful hands, and a passion for the business,
An innovative approach, with a view to tomorrow.

Our trailers are built to get every job done.

Whatever the challenge, confidence gives you the power to handle anything.

BRING IT ON!

Curious about our corporate video?
Then scan the QR code.



BOX TRAILER.

Azure L-1 multiplex



Azure L-2 multiplex



Azure L-1 aluminium



Azure L-2 aluminium



FLAT-BED TRAILER.

Azure H-1



Azure H-2



Azure H-3



WORK WITH THE STRONGEST TRAILERS.

You need to be able to count on your trailer anytime, anywhere. Day in and day out. That's why you only accept the very best transport solution, one that can handle any job and that proves itself every day. It's also just as important for every load to reach its destination quickly and safely. That's why you place the highest demands on your trailer's quality, safety and reliability.

That's why you choose HAPERT.





WHATEVER THE CHALLENGE IS... BRING IT ON!

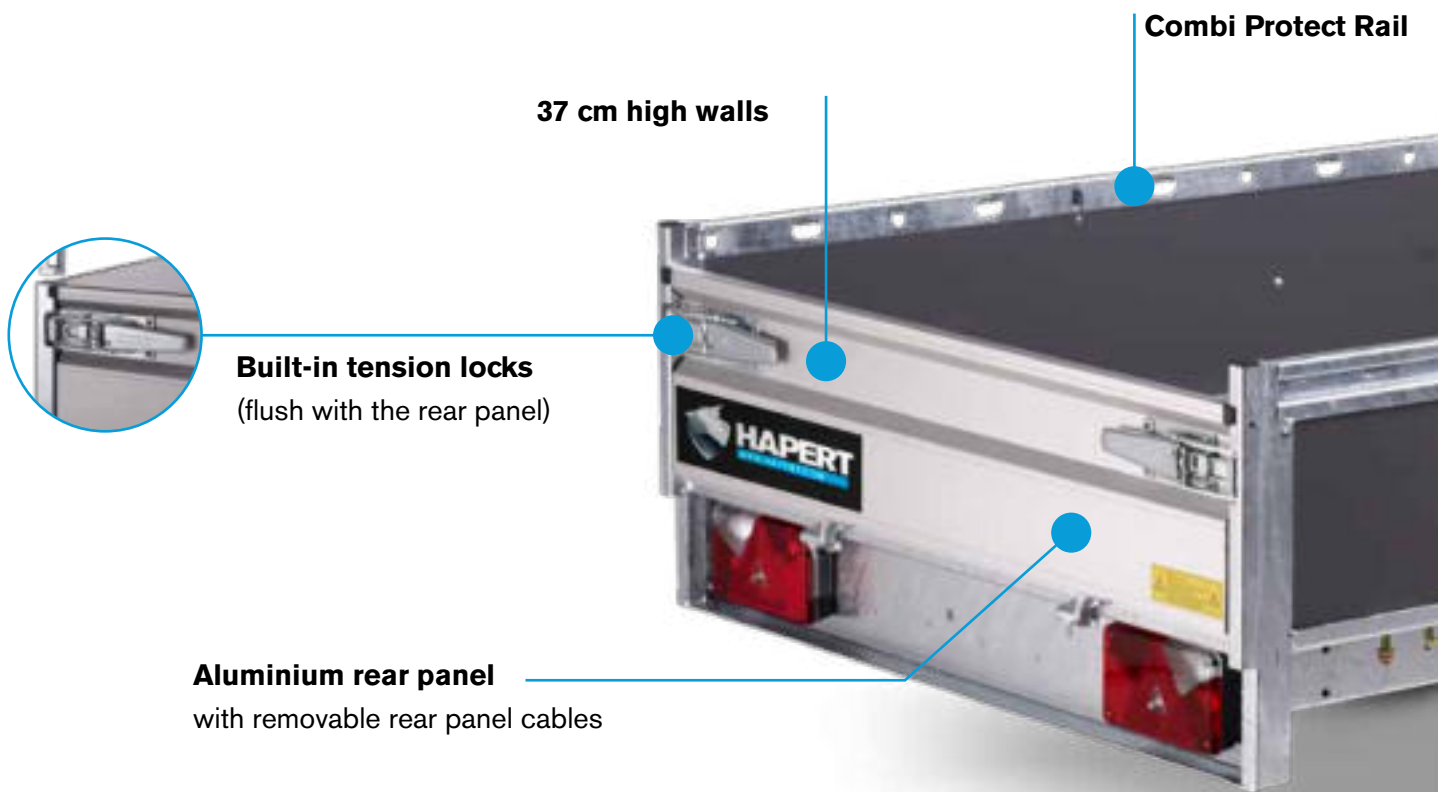
HAPERT develops the absolute strongest and sturdiest trailers you will find anywhere in Europe. With a constant focus on users, demanding entrepreneurs and private individuals. We never settle for average quality, we strive for perfection. Our trailers are built to get every job done. Whatever the challenge: BRING IT ON!







SURPRISING STANDARD WITH...



37 cm high walls

Combi Protect Rail

Built-in tension locks
(flush with the rear panel)

Aluminium rear panel
with removable rear panel cables



Automatic fold-away
support wheel

Bolted V-shaped drawbar



TÜV-certified load-securing system



Removable stacking rack

Hitch height adjustment

Full floor support
thanks to the crossmembers and wide longitudinal members on the side

Plywood floor panel
15mm, with anti-slip coating

Robust side wall supports



BUILD YOUR TRAILER ONLINE AT HAPERT.COM



EXTRA OPTIONS FOR YOUR POWERHOUSE...

- 1 **LED lighting** (not possible for 14 cm width)
- 2 **Rear light cover**
- 3 **Boltable hooks on the outside**
- 4 **Adjustable and swivelling telescoping** supports with removable crank
- 5 **Sliding support legs mounted** with clamping bracket
- 6 **Canopy** 150, 180 or 210 cm high, colour grey
- 7 **Flat tarpaulin** in colour grey
- 8 **Removable aluminium panels** approx. 40 cm high with durable locks
- 9 **Tension bar**
- 10 **Cargo net** (fine mesh)
- 11 **Wire-mesh rack, 75 cm high** (removable) and a fine-meshed cargo net (mounted)

Additional options:

Spare wheel at front

Spare wheel under floor

Shock absorbers mounted on axles

Chassis version available as single and tandem axle





TECHNICAL DATA AZURE L-1 & L-2

AZURE L-1

	200 x 100	200 x 130	250 x 130	250 x 150
Maximum Gross Weight (kg)	1350	1350	1350	1350
Empty weight (kg)	280	295	320	340
Loading capacity (kg)	1070	1055	1030	1010
Weight class 750 kg, empty weight (kg)	- 50	- 50	- 50	- 50
Weight class 1500 kg, empty weight (kg)	+ 5	+ 5	+ 5	+ 5
Weight class 1800 kg, empty weight (kg)	+ 20	+20	+ 20	+ 20
Interior length (cm) [A]	203	203	253	253
Interior width (cm) [B]	109	129	129	149
Length drawbar (cm) [C]	125	125	125	125
Total length (cm) [D]	332	332	382	382
Total width (cm) [E]	158	178	178	198
Total height incl. ladder-rack (cm) [F]	132	132	132	132
Height of the loading floor (cm) [G]	54	54	54	54
Height of coupling (cm) [H]	46	46	46	46
Height side wall incl. CPR (cm) [I]	37	37	37	37
Tyre size	185R14C	185R14C	185R14C	185R14C
Number of binding brackets in each side edge	4	4	6	6

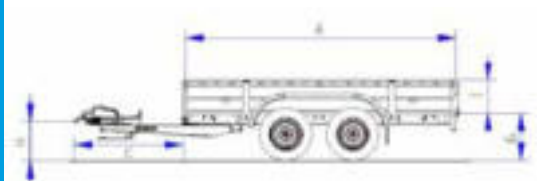
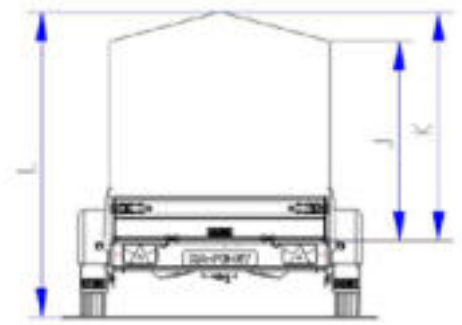
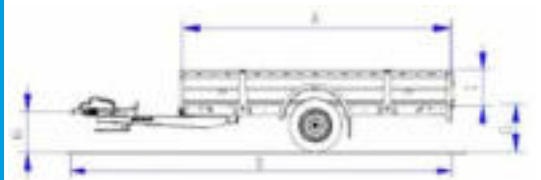
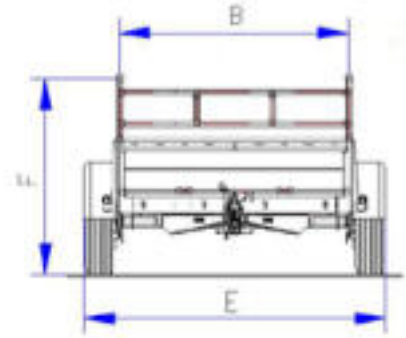
AZURE L-2

	250 x 130	250 x 150	300 x 130	300 x 150
Maximum Gross Weight (kg)	2000 kg	2000	2000	2000
Empty weight (kg)	360	390	430	448
Loading capacity (kg)	1640	1610	1570	1552
Weight class 2700 kg empty weight (kg)	+ 30	+ 30	+ 30	+ 30
Weight class 3000 kg empty weight (kg)	+ 48	+ 48	+ 48	+ 48
Weight class 3500 kg empty weight (kg)	+ 75	+ 75	+ 75	+ 75
Interior length (cm) [A]	253	253	303	303
Interior width (cm) [B]	129	149	129	149
Length drawbar (cm) [C]	125	125	125	125
Total length (cm) [D]	381	381	431	431
Total width (cm) [E]	178	198	178	198
Total height incl. ladder-rack (cm) [F]	128	128	128	128
Height of the loading floor (cm) [G]	52	52	52	52
Height of coupling (cm) [H]	44	44	44	44
Height side wall incl. CPR (cm) [I]	37	37	37	37
Tyre size	185/70R13	185/70R13	185/70R13	185/70R13
Number of binding brackets in each side edge	6	6	6	6

TECHSPECS

300 x 130	300 x 150	350 x 150
1350	1350	1350
350	370	410
1000	980	940
- 50	- 50	- 50
+ 5	+ 5	+ 5
+ 20	+ 20	+ 20
303	303	353
129	149	149
125	125	125
431	431	481
178	198	198
132	132	132
54	54	54
46	46	46
37	37	37
185R14C	185R14C	185R14C
6	6	8

350 x 150	Accessoires high covers	
2000	High cover 150 cm high	
478	Useful height sides (cm) [J]	150
1522	Useful height in the middle (cm) [K]	156
+ 30	Total height [L]	215
+ 48	High cover 180 cm high	
+ 75	Useful height sides (cm)	180
353	Useful height in the middle (cm)	186
149	Total height	245
125	High cover 210 cm high	
483	Useful height sides (cm)	210
198	Useful height in the middle (cm)	216
128	Total height	275
52		
44		
37		
185/70R13		
8		



HAPERT CHASSIS WARRANTY

REGISTER AND RECEIVE A 10-YEAR WARRANTY ON THE CHASSIS + 1 YEAR ADDITIONAL FACTORY WARRANTY!



At HAPERT, we settle for nothing less than the best quality. That's why all our trailers are delivered as standard with the possibility to extend the warranty period to 2 years, and even up to 10 years on the chassis.

This is how it works:

- 1. Collect your trailer at your local HAPERT dealer**
- 2. Within 5 working days after your purchase, visit: www.hapert.com/register and register your trailer for an extended warranty**
- 3. We'll send you your updated warranty certificate by e-mail. Please store it safely!**

* Having trouble registering your trailer online? Call us on +31 (0) 497 38 68 68. We would be happy to send you a printed copy.

* View our warranty policy for all conditions at: hapert.com/register

THE STRONGEST IS NOW ALSO THE SMARTEST



LEASE
FROM
52.00 EURO
/MONTH



HAPERT FULL SERVICE LEASE

Are you self-employed and need a trailer? Or does your company already use several trailers and would you like to expand your trailer fleet? Buying a new trailer can be a big investment for many entrepreneurs. That's why we are now offering the option of leasing your HAPERT trailer, so you don't have to invest a large sum. By choosing HAPERT Full-Service Lease, you only pay for the use of your trailer and the leasing company takes care of the rest. But that's not all. The costs for preventive maintenance are included in the lease price. Another benefit is that you don't need to add the trailer to your balance sheet because it isn't classified as a business asset.

LEASING AS EASY AS 123

- Operational Lease from €3.000
- After the standard term of 5 years, the possibility to:
 - Take over ownership of the trailer at an attractive price
 - Lease a new trailer based on the same principles
- Including interest, depreciation, annual maintenance and insurance
- From €52.00 a month

THE ADVANTAGES OF HAPERT FULL SERVICE LEASE

- ✓ You know exactly what you spend each month on a trailer
- ✓ No major investment needed and still enjoy use of a new trailer
- ✓ No need to add the trailer on your balance sheet, which can be financially advantageous
- ✓ Clear insight into the monthly costs
- ✓ Annual maintenance included; your trailer is always in top condition







SURPRISING STANDARD WITH...



30 cm high aluminium walls.
Collapsible on 4 sides



Built-in tension locks
(flush with the panels)



**Models of 450 cm and longer
with split side panels.**
With removable central stanchion



Four flush laser-cut corner stanchions
easy to remove

Drawbar

to adjust the hitch height

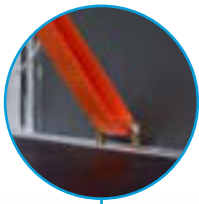


**Automatic fold-away
support wheel**

**Bolted V-shaped
drawbar**

**Provision to add the ramp package at a
later stage**

(not available on the 260x150 cm model)



TÜV-certified load securing system



Welded and hot-dip galvanised chassis
with 10-year chassis warranty

Provision for additional tie-down: tie-down hooks under the side edge and bolts in the long crossmembers



Hinge bushings welded on all sides with hook



BUILD YOUR TRAILER ONLINE AT HAPERT.COM



EXTRA OPTIONS FOR YOUR POWERHOUSE

- 1
- 2
- 3
- 4
- 5
- 6
- 7
- 8
- 9
- 10
- 11
- 12

1 Drive-on package: 2 integrated aluminium loading skids, 250 cm long & 2 adjustable telescoping prop stands with crank

2 Parabolic suspension incl. shock absorbers and black rims

3 Panels, 40 cm high (instead of 30 cm)

4 Aluminium profile floor instead of plywood

5 Composite floor instead of plywood

6 Rear light cover

7 Canopy with sliding sheet on both sides 180, 210 or 230 cm high, colour grey standard

8 Canopy 150, 180 or 210 cm high, standard in colour grey

9 Flat tarpaulin in colour grey

10 Cargo cover (fine mesh)

11 Removable 70 cm high wire-mesh rack

12 Removable extension panels, 30 cm high

Additional options:

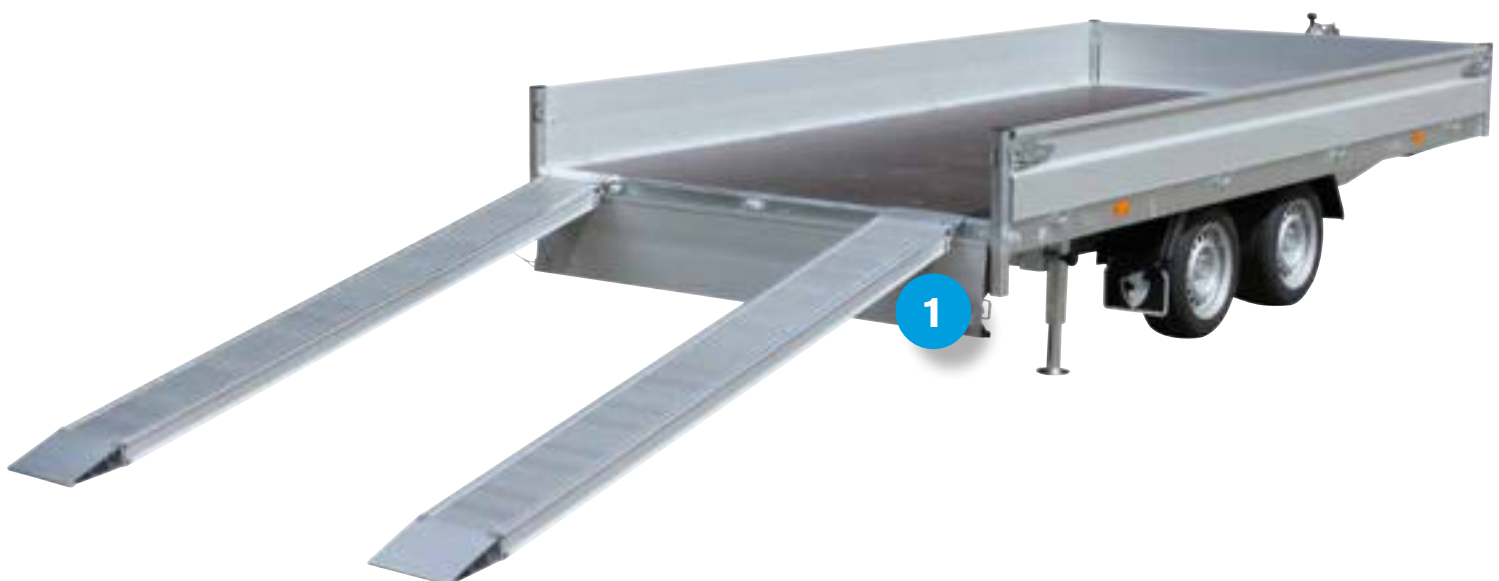
-
-
-
-

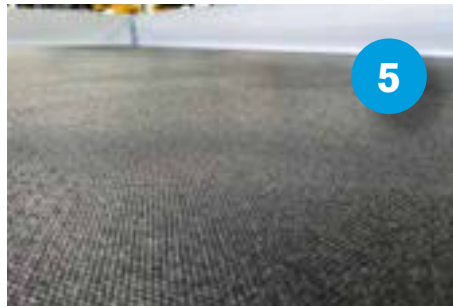
Bolt-on hooks on the inside of the side frame

Detachable front rack secured in the laser-cut corner stanchions

Spare wheel under the floor

Spare wheel mounted on the front





TECHNICAL DATA H-1, H-2 & H-3

AZURE H-1

	260 x 150	280 x 160	305x180	305 x 160
Maximum Gross Weight (kg)	1350	1350	1350	1350
Empty weight (kg)	337	360	375	372
Loading capacity (kg)	1013	990	975	978
Weight class 750 kg empty weight (kg)	- 38	- 38	- 38	- 38
Weight class 1500 kg empty weight (kg)	+ 4	+ 4	+ 4	+ 4
Weight class 1800 kg empty weight (kg)	-	+ 18	+ 18	+ 18
Composite floor instead of multiplex floor (kg)	-	-	-	-
Model with Drive-on package (kg)	-	+ 88	+ 88	+ 88
Interior length (cm) [A]	260	280	280	305
Interior width (cm) [B]	150	160	180	160
Length drawbar (cm) [C]	126	126	126	126
Total length (cm) [D]	392	412	412	437
Total width (cm) [E]	156	166	186	166
Total height (cm) [F]	156	156	176	156
Height of the loading floor (cm) [G]	76	76	76	76
Height floor 195/50 R13C (cm) [G]	65	65	65	65
Height floor 185/70 R13C (cm) [G]	73	73	73	73
Height of coupling (cm) [H]	44	43	43	43
Height of the walls (cm) [I]	30	30	30	30
Height ladder rack (cm) [K]	50	50	70	50
Tyre size	185R14C	185R14C	185R14C	185R14C
Number of binding brackets in the 2 side edges	6	6	6	6
Number of holes for mounting bolttable rope hooks	12	12	12	12

Accessories

High cover 150 cm. high

Useful height sides (cm) [L]	150
Useful height in the middle (cm) [M]	162
Total height (cm) [N]	240

High cover 180 cm. high

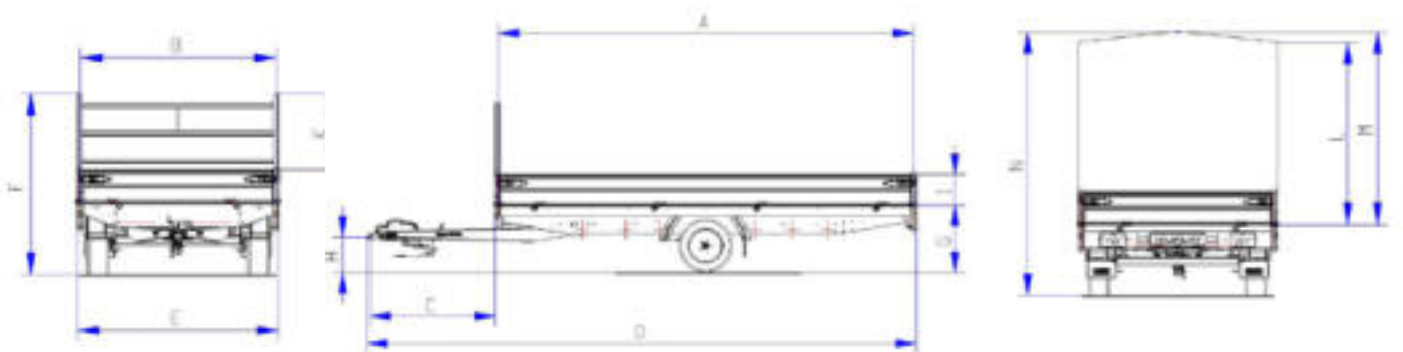
Useful height sides (cm) [L]	180
Useful height in the middle (cm) [M]	192
Total height (cm) [N]	270

High cover 210cm. high

Useful height sides (cm) [L]	210
Useful height in the middle (cm) [M]	222
Total height (cm) [N]	300

305 x 180	335 x 160	335 x 180	335 x 200	335 x 220	405 x 160	405 x 180
1350	1350	1350	1350	1350	1350	1350
392	395	418	436	470	458	477
958	955	932	914	880	892	573
-38	-	-	-	-	-	-
+4	+4	+4	+4	+4	+4	+4
+18	+18	+18	+18	+18	+18	+18
-38	-	-	-	-	-	-
+88	+88	+88	+88	+88	+88	+88
305	335	335	335	335	405	405
180	160	180	200	220	160	180
126	126	126	150	150	126	126
437	467	467	491	491	537	537
186	166	186	206	226	166	186
176	156	176	176	176	156	176
76	76	76	76	76	76	76
65	65	65	65	65	65	65
73	73	73	73	73	73	73
43	43	43	43	43	43	43
30	30	30	30	30	30	30
70	50	70	70	70	50	70
185R14C	185R14C	185R14C	185R14C	185R14C	185R14C	185R14C
6	6	6	6	6	8	8
12	12	12	12	12	22	22

TECHSPECS



TECHNICAL DATA H-1, H-2 & H-3

AZURE H-2 (up to 405 x 180)

	260x150	280x160	280x180	305x160
Maximum Gross Weight (kg)	2000	2000	2000	2000
Empty weight (kg)	378	436	449	451
Loading capacity (kg)	1622	1564	1551	1549
Model with Drive-on package (kg)	-	+ 88	+ 88	+ 88
Weight classes 2700 kg empty weight (kg)	-	+ 30	+ 30	+ 30
Weight classes 3000 kg empty weight (kg)	-	+ 42	+ 42	+ 42
Weight classes 3500 kg empty weight (kg)	-	-	-	-
Composite floor instead of multiplex floor (kg)	-	-	-	-
Interior-length (cm) [A]	260	280	280	305
Interior width (cm) [B]	150	160	180	160
Length drawbar (cm) [C]	126	126	126	126
Total length (cm) [D]	392	412	412	437
Total width (cm) [E]	156	166	186	166
Total height (cm) [F]	154	154	174	154
Height of the loading floor (cm) [G]	73	73	73	73
Height floor 195/50 R13C (cm) [G]	64	64	64	64
Height floor 185/70 R13C (cm) [G]	73	73	73	73
Height of coupling (cm) [H]	44	44	44	44
Height of the walls (cm) [I]	30	30	30	30
Height ladder rack (cm) [K]	50	50	70	50
Tyre size	185/70R13	185/70R13	185/70R13	185/70R13
Number of binding brackets in the 2 side edges	6	6	6	6
Number of holes for mounting boltable rope hooks	12	12	12	12

Accessories

High cover 150 cm high

Useful height sides (cm) [L]	150
Useful height in the middle (cm) [M]	162
Total height (cm) [N]	240

High cover 180 cm high

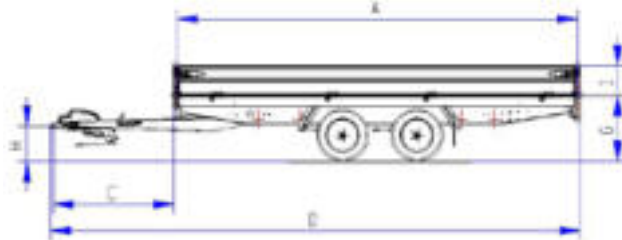
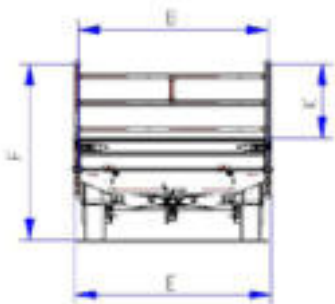
Useful height sides (cm) [L]	180
Useful height in the middle (cm) [M]	192
Total height (cm) [N]	270

High cover 210cm high

Useful height sides (cm) [L]	210
Useful height in the middle (cm) [M]	222
Total height (cm) [N]	300

305x180	335x160	335x180	335x200	335x220	405x160	405x180
2000	2000	2000	2000	2000	2000	2000
474	468	483	506	536	539	555
1526	1532	1517	1494	1464	1461	1445
+ 88	+ 88	+ 88	+ 88	+ 88	+ 88	+ 88
+ 30	+ 30	+ 30	+ 30	+ 30	+ 30	+ 30
+ 42	+ 42	+ 42	+ 42	+ 42	+ 42	+ 42
-	-	+ 77	+ 77	+ 77	+ 77	+ 77
-	-	- 36	-	-	-	-
305	335	335	335	335	405	405
180	160	180	200	220	160	180
126	126	126	150	150	126	126
437	467	467	491	491	537	537
186	166	186	206	226	166	186
174	154	174	174	174	154	174
73	73	73	73	73	73	73
64	64	64	64	66	64	64
73	73	73	73	73	73	73
44	44	44	44	44	44	44
30	30	30	30	30	30	30
70	50	70	70	70	50	70
185/70R13	185/70R13	185/70R13	185/70R13	185/70R13	185/70R13	185/70R13
6	6	6	6	6	8	8
12	12	12	12	12	22	22

TECHSPECS



TECHNICAL DATA H-1, H-2 & H-3

AZURE H-2 (405x200 t/m 605x240)

	405x200	405x220	405x240	455x180
Maximum Gross Weight (kg)	2700	2700	2700	2700
Empty weight (kg)	604	650	667	655
Loading capacity (kg)	2096	2050	2033	2045
Model with Drive-on package (kg)	+ 88	+ 88	+ 88	+ 88
Weight classes 3000 kg empty weight (kg)	+ 12	+ 12	+ 12	+ 12
Weight classes 3500 kg empty weight (kg)	+ 47	+ 47	+ 47	+ 47
Composite floor instead of multiplex floor (kg)	- 49	-	-	-
Interiour length (cm) [A]	405	405	405	455
Interiour width (cm) [B]	200	220	240	180
Length drawbar (cm) [C]	150	150	150	150
Total length (cm) [D]	561	561	561	611
Total width (cm) [E]	206	226	246	186
Total height (cm) [F]	176	176	176	176
Height of the loading floor (cm) [G]	76	76	76	76
Height floor 195/50 R13C (cm) [G]	65	65	65	65
Height floor 185/70 R13C (cm) [G]	73	73	73	73
Height of coupling (cm) [H]	46	46	46	46
Height of the walls (cm) [I]	30	30	30	30
Height ladder rack (cm) [K]	70	70	70	70
Tyre size	185R14C	185R14C	185R14C	185R14C
Number of binding brackets in the 2 side edges	8	8	8	8
Number of holes for mounting bolttable rope hooks	22	22	22	20

	605x200	605x220	605x240
Maximum Gross Weight (kg)	3500	3500	3500
Empty weight (kg)	830	880	910
Loading capacity (kg)	2670	2620	2590
Model with Drive-on package (kg)	+ 88	+ 88	+ 88
Weight classes 3000 kg empty weight (kg)	-	-	-
Weight classes 3500 kg empty weight (kg)	-	-	-
Interiour length (cm) [A]	605	605	605
Interiour width (cm) [B]	200	220	240
Length drawbar (cm) [C]	150	150	150
Total length (cm) [D]	761	761	761
Total width (cm) [E]	206	226	246
Total height (cm) [F]	176	176	176
Height of the loading floor (cm) [G]	76	76	76
Height floor 195/50 R13C (cm) [G]	64	64	64
Height floor 185/70 R13C (cm) [G]	73	73	73
Height of coupling (cm) [H]	46	46	46
Height of the walls (cm) [I]	30	30	30
Height ladder rack (cm) [K]	70	70	70
Tyre size	185R14C	185R14C	185R14C
Number of binding brackets in the 2 side edges	12	12	12
Number of holes for mounting bolttable rope hooks	20	20	20

455x200	455x220	455x240	505x180	505x200	505x220	505x240
2700	2700	2700	2700	2700	2700	2700
668	720	750	680	704	752	780
2032	1980	1950	2020	1996	1948	1920
+ 88	+ 88	+ 88	+ 88	+ 88	+ 88	+ 88
+ 12	+ 12	+ 12	+ 12	+ 12	+ 12	+ 12
+ 47	+ 47	+ 47	+ 47	+ 47	+ 47	+ 47
-	-	-	-	-	-	-
455	455	455	505	505	505	505
200	220	240	180	200	220	240
150	150	150	150	150	150	150
611	611	611	661	661	661	661
206	226	246	186	206	226	246
176	176	176	176	176	176	176
76	76	76	76	76	76	76
65	65	65	65	65	65	65
73	73	73	73	73	73	73
46	46	46	46	46	46	46
30	30	30	30	30	30	30
70	70	70	70	70	70	70
185R14C	185R14C	185R14C	185R14C	185R14C	185R14C	185R14C
8	8	8	12	12	12	12
20	20	20	20	20	20	20

Accessories

High cover 150 cm. high

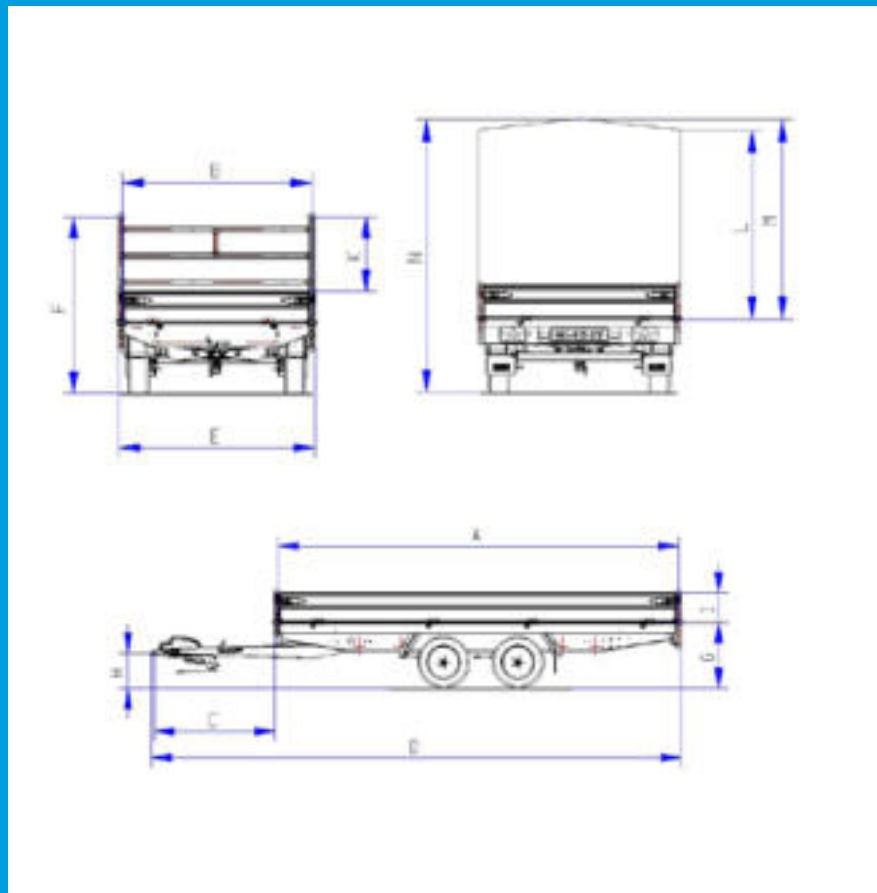
Useful height sides (cm)	[L]	150
Useful height in the middle (cm)	[M]	162
Total height (cm)	[N]	240

High cover 180 cm. high

Useful height sides (cm)	[L]	180
Useful height in the middle (cm)	[M]	192
Total height (cm)	[N]	270

High cover 210cm. high

Useful height sides (cm)	[L]	210
Useful height in the middle (cm)	[M]	222
Total height (cm)	[N]	300



TECHNICAL DATA H-1, H-2 & H-3

AZURE H-3

	405x200	405x220	405x240	455x180
Maximum Gross Weight (kg)	3500	3500	3500	3500
Empty weight (kg)	706	741	776	750
Loading capacity (kg)	2794	2759	2724	2750
Empty weight with 3 axles 1800 (kg)	+ 42	+ 45	+ 48	+ 40
Composite floor instead of multiplex floor (kg)	- 49	-	-	-
Model with Drive-on package (kg)	+ 96	+ 96	+ 96	+ 96
Interiour length (cm) [A]	405	405	405	455
Interiour width (cm) [B]	200	220	240	180
Length drawbar (cm) [C]	156	156	156	156
Total length (cm) [D]	567	567	567	617
Total width (cm) [E]	206	226	246	186
Total height (cm) [F]	178	178	178	178
Height of the loading floor (cm) [G]	78	78	78	78
Height floor 195/50 R13C (cm) [G]	65	65	65	65
Height floor 185/70 R13C (cm) [G]	75	75	75	75
Height of coupling (cm) [H]	50	50	50	50
Height of the walls (cm) [I]	30	30	30	30
Height ladder rack (cm) [K]	70	70	70	70
Tyre size	85R14C	185R14C	185R14C	185R14C
Number of binding brackets in the 2 side edges	8	8	8	8
Number of holes for mounting bolttable rope hooks	22	22	22	20

	605x200	605x220	605x240
Maximum Gross Weight (kg)	3500	3500	3500
Empty weight (kg)	870	940	980
Loading capacity (kg)	2630	2560	2520
Empty weight with 3 axles 1800 (kg)	+ 42	+ 45	+ 48
Model with Drive-on package (kg)	+ 96	+ 96	+ 96
Interiour length (cm) [A]	605	605	605
Interiour width (cm) [B]	200	220	240
Length drawbar (cm) [C]	156	156	156
Total length (cm) [D]	767	767	767
Total width (cm) [E]	206	226	246
Total height (cm) [F]	178	178	178
Height of the loading floor (cm) [G]	78	78	78
Height floor 195/50 R13C (cm) [G]	65	65	65
Height floor 185/70 R13C (cm) [G]	75	75	75
Height of coupling (cm) [H]	50	50	50
Height of the walls (cm) [I]	30	30	30
Height ladder rack (cm) [K]	70	70	70
Tyre size	185R14C	185R14C	185R14C
Number of binding brackets in the 2 side edges	12	12	12
Number of holes for mounting bolttable rope hooks	20	20	20

455x200	455x220	455x240	505x180	505x200	505x220	505x240
3500	3500	3500	3500	3500	3500	3500
780	815	850	782	815	850	884
2720	2685	2650	2718	2685	2650	2616
+ 42	+ 45	+ 48	+ 40	+ 42	+ 45	+ 48
-	-	-	-	-	-	-
+ 96	+ 96	+ 96	+ 96	+ 96	+ 96	+ 96
455	455	455	505	505	505	505
200	220	240	180	200	220	240
156	156	156	156	156	156	156
617	617	617	667	667	667	667
206	226	246	186	206	226	246
178	178	178	178	178	178	178
78	78	78	78	78	78	78
65	65	65	65	65	65	65
75	75	75	75	75	75	75
50	50	50	50	50	50	50
30	30	30	30	30	30	30
70	70	70	70	70	70	70
185R14C	185R14C	185R14C	185R14C	185R14C	185R14C	185R14C
8	8	8	12	12	12	12
20	20	20	20	20	20	20

Accessories

High cover 150 cm high

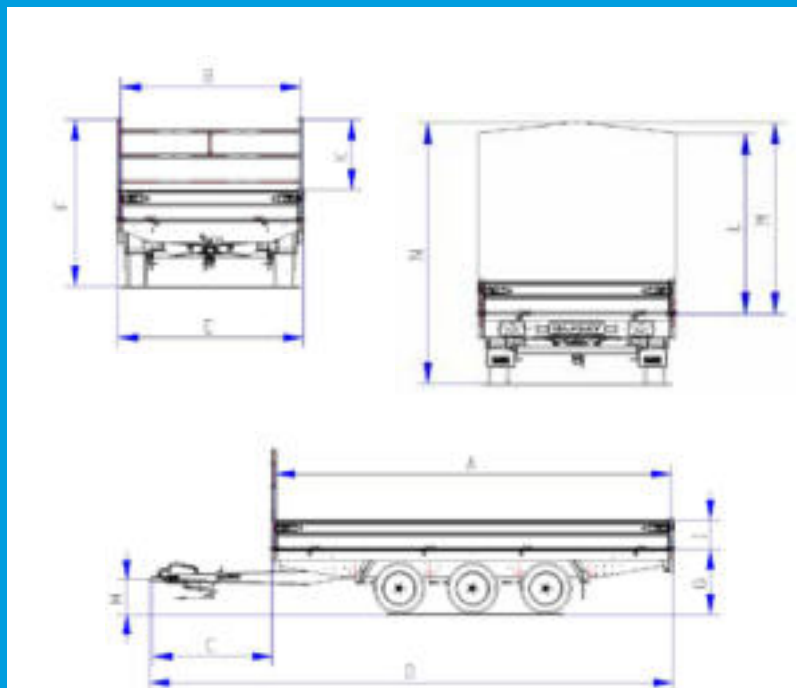
Useful height sides (cm)	[L]	150
Useful height in the middle (cm)	[M]	162
Total height (cm)	[N]	240

High cover 180 cm high

Useful height sides (cm)	[L]	180
Useful height in the middle (cm)	[M]	192
Total height (cm)	[N]	270

High cover 210 cm high

Useful height sides (cm)	[L]	210
Useful height in the middle (cm)	[M]	222
Total height (cm)	[N]	300



HAPERT PARABOLIC SUSPENSION



A SUMMARY OF ALL THE ADVANTAGES

- Smoother suspension system
- Optimal and constant tensional forces
- Parabolic suspension has a long lifespan
- Lighter than traditional leaf spring suspension
- Maximum comfort
- Stable, also when trailer is laden
- Optimal road holding

A parabolic suspension system ensures optimum and constant weight distribution over the entire trailer and helps compensate for any unevenness on the road surface. Even if the trailer is fully loaded, the parabolic suspension with axle-mounted shock absorbers provides maximum driving comfort and system stability.

THE ULTIMATE TRAILER FOR HEAVIER WORK

We know better than anyone how important it is for every load to reach its destination quickly and undamaged.

Durable transport solutions that guarantee the safe and stable movement of goods, day in and day out.

For heavier work, we supply sturdy trailers in the 3,500 kilogram weight class: powerful, heavy-duty models with parabolic suspension axles, including shock absorbers. This type of trailer is designed specifically for keeping even the heaviest loads stable during transport while ensuring driver comfort.



HAPERT COMPOSITE



HAPERT
TRAILERS



At HAPERT Trailers, innovation is a never-ending journey in which we strive to continuously innovate and optimise our trailers. We'd like to take you along in this process. Our latest innovation: the composite floor!

As sustainability continues to be one of HAPERT's core values, we are investigating the possibility of replacing all wooden flooring with composite over time. For the moment, HAPERT offers the composite floor as an option. Wood is a beautiful material, but it's also very heavy. Composite is half the weight, easy to repair, sustainable, and simple to recycle.

Composite is a durable, high-quality composition of materials. Composite is so strong and light that it is a viable replacement for conventional materials such as wood and most metals. The new floor is composed of thermoplastic composites with skin layers of glass fibre and polypropylene. You can compare the structure of composite to a lasagne, layer upon layer of fibrous materials. Combining both these materials creates an extremely durable, super strong and lightweight panel.

Curious about the possibilities or do you want to see the floor in real life? Contact one of our dealers today!
<https://hapert.com/nl/dealers> or scan the QR-code



A SUMMARY OF ALL THE ADVANTAGES

- Weight saving
- Longer service life
- Very strong
- Sustainable
- Fully recyclable
- Repair options
- Lowest TCO

innovation by **H-LAB**

WANT TO MORE?

WWW.HAPERT.COM

All the information and illustrations in this brochure are based on the specifications of the trailer that were valid at the time the brochure went to press. The model range, technical specifications and options may be changed without prior notice. Please contact your Hapert dealer for the most up-to-date information. This brochure has been compiled with the greatest possible care and no liability can be accepted for any inaccuracies. We reserve the right to make changes.



HAPERT AZURE
OPEN TRAILERS